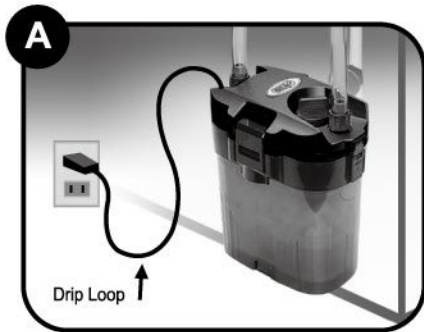


All in One Compact Canister Filter

Read the instructions carefully before using the filter.

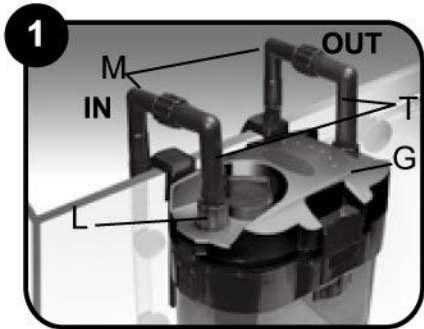


Installation: Hang on Or Desktop

Use the "illustration chart" on component box to identify each component properly. (Note: filtration media were preinstalled in the filter cups)

A. Hang on:

1. Assemble water inlet pipes: As shown in illustration #2, assemble suction cups and clips (R, S2), elbow (M), inlet pipes (Q1, Q2), and inlet strainer (Q3); assemble pipes at suitable length as needed.
2. Assemble water outlet pipes: As shown in illustration #2, assemble suction cups and clips (R, S1), spray bars (P1, P2), stopper (P4), short TPR elbow (N) and elbow (M). The spray bars can be exchanged with the outlet port (P3) to have a different way of water flow.
3. Use long TPR elbows (T) to connect water inlet/outlet pipes with the water inlet/outlet on the canister cover (G).
4. Complete the assembly by attaching the leveling foot (E), and hangers (U1) to the filter as shown in illustration #3.



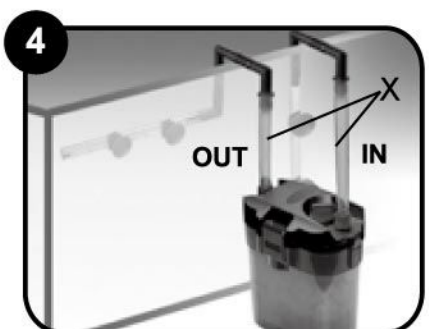
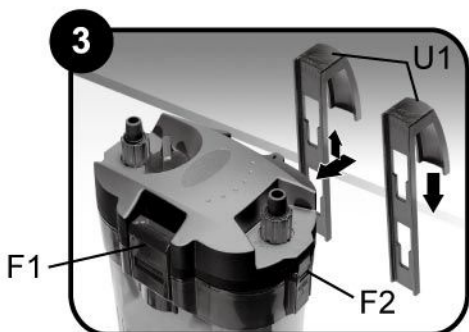
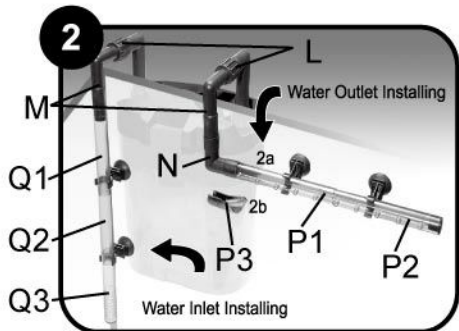
B. Desktop:

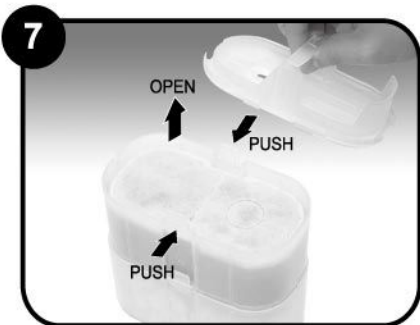
1. Assemble water inlet/outlet pipes as instructed above (illustration #2).
2. Screw the plastic nuts (L) into elbows (M) and the canister hood (G) as shown in illustration #4. Tighten securely.

Connect hose (X) to the water inlets/outlets elbows and canister hood. To secure connection, tighten plastic nuts (L) in a counter clockwise fashion to lock in hoses at both the inlet/outlet piping and canister hood (G).

C. Operation

1. Remove the knob (K) to fill the filter up with water (as shown in illustration #5). Reinstall the knob after the filter is filled up with water.
2. Plug in the power cord to start the filter.





Maintenance:

1. Use a soft cloth to clean the surface of the filter. Do not use any cleaners that contain turpentine.
2. Do not use the filter if it starts to heat up or is producing an abnormal noise.
3. To prevent debris from blocking the filter, clean or replace filtration media periodically.
4. How to clean or replace the filtration media:
 - a) Unplug the power; remove inlet/outlet hoses or pipes, place hoses or pipes above the aquarium water level to prevent siphoning. As shown in illustration #6, open the buckles (F1, F2) to open the filtration chamber.
 - b) Take filter cup cover (C) and filter cup (B) out. Next, push down the clips and pull the filter cover off (as shown in illustration #7).
 - c) Remove the filtration media for cleaning or replacement.
 - d) Reinstallation: Reverse the sequence above to install the motor stand/upper cover unit (D, G) (as shown in illustration # 8). Remove the knob (K) to fill up with water (as shown in illustration # 5). Reinstall the knob after the filter is filled up with water. Then, plug in the power cord to resume the operation.

Troubleshooting

1. If filter is dispersing air bubbles, disassemble and reassemble filter hoses and canister top. Inspect canister pieces to be sure there are no cracks and make sure all connections are tightened and secure to avoid any air leakage. If this is a new filter, please allow a 48 hour break in period.
2. If the filter is not pulling water, make sure the canister is filled with water before operating by following instructions in Operation C, illustration #5. Filter needs a continuous bond of water for priming. If filter does not begin it's flow independently, make sure canister is filled with water and very slightly tilt filter until filter establishes a constant water flow and primes itself.
3. If the canister hood does not secure properly, make sure trays are inserted in the correct position.
4. Canisters that appear to be leaking can be fixed by disassembling and reassembling the canister hoses and canister hood. A secure connection will prevent leakage.

FINNEX Aquarium Product Limited Warranty

This warranty gives you certain rights and you may also have other rights, which may vary from state to state. This warranty is given only to the end-use purchaser of the accompanying product (referred to in this warranty as "this Products")

What is covered:

This Product is warranted by JSK Merchandising, Inc. to the original purchaser against defective material and workmanship under normal use for a period of 180 days from the date of the original purchase.

What is not covered:

This Product has no warranty-if: 1) this Product has been serviced, modified or tampered with by anyone other than JSK Merchandising, Inc. or its authorized service centers, 2) this Product has been abused or damaged (including broken or cracked bulbs), 3) this Product has been transported without the proper packaging.

What to do if you think your Product is defective:

1) Contact us through www.finnex.net to report a warranty claim. 2) You may be required to send the Products properly packaged, freight prepaid to JSK Merchandising, Inc. together with a photocopy of the invoice as proof of date of original purchase.

What we will do:

If the Product proves defective under the coverage of this warranty, JSK Merchandising, Inc. will, at its option, repair or replace on an exchange basis the Product with the same or similar model. JSK Merchandising, Inc. reserves the right to supply refurbished replacement products provided that the replacement products conform to the manufacture's specifications for new products. The repaired or replacement product will be returned to you at no cost.

Limitations:

This warranty is limited to repair or replacement of the Products; this warranty does not cover personal injury, property loss, including livestock or any direct, indirect incidental or consequential damages or specific relief.