

CUSTOM SCHEDULE QUICK START

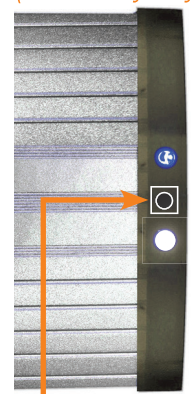


- A. Power ON fixture [1]
- B. Press blue 24/7 button [7]
(A & B sensor LEDs will blink)
- C. Press time slot you would like to edit. Once selected, use color control pad to adjust colorations and settings. Repeat this step for all time slots requiring adjustments.
- D. When finished, hold SAVE button [SAVE] for 3 seconds until fixture flashes.
- E. Press time button closest to present time.
- F. Press blue 24/7 button to start your customized 24/7 program.

NOTE: If you would like six hours of complete darkness, users will need to set 3 consecutive time slots to complete darkness. [ie. Blacking out [12am] [3am] & [6am] will allow a dark period from 12am-6am. At 6:01am, a smooth transition to your 9am setting will commence.

SENSOR INDICATOR KEY

(Fixture may vary)



- [A & B solid/ON]:**
Customized 24/7 mode is confirmed and running
- [A & B blinking]:**
Customized 24/7 programming mode is active and ready for time input.
- [A blinking]:**
24/7 programming mode is active and waiting for time input.
- [A solid/ON]:**
24/7 mode is confirmed and running.
- [B solid/ON]:**
Memory mode is running.
- [NO Light]:**
Modes MAX or WEATHER are running.
- [A & B alternating blinks]:**
Customized 24/7 programming mode is active and waiting for custom time slot input to be saved.

Remote must be directed at sensor diagram to accept commands.

REMOTE GUIDE

- 1 ON / OFF:** Press button to power on unit.
- 2 Default 24/7 CONTROL:** Automated 24 hour color cycle.
SETTING:
 1. Press white 24/7 button to activate 24/7 control. [A will start blinking]
 2. Press time button closest to present time.
 3. Press white 24/7 to save and confirm time/settings. [A will remain on]
- 3 WEATHER MODE:** Press corresponding buttons to engage weather mode.
[Sensor lights will remain off]
- 4 MEMORY:** Memory function allows the storage of up to four preferred color combinations in slots M1, M2, M3, & M4.
SETTING:
 1. Press buttons W, R, G, or B and adjust color using color pad.
 2. Save color to memory slot by pressing AND holding preferred slot M1, M2, M3, or M4 for 3 SECONDS.
[B will flash and remain on once saved]
 3. To access previously saved combinations, press the corresponding M1, M2, M3, or M4 button.
- 5 MAX:** Press button to engage all LEDs to brightest setting. [Sensor lights will remain off]
- 6 DEMO:** Press button to demo an accelerated 24/7 cycle.
- 7 CUSTOMIZED 24/7 CONTROL:** Customized automated 24 hour color cycle
SETTING:
 1. Press blue 24/7 button to start Customized 24/7 Control.
[A & B will start blinking]
 2. Press time you wish to customize and adjust using color control pad.
(Repeat this step until desired colorations and intensities are to your liking in all time slots) [A & B alternating blinks]
 3. TO SAVE: Hold save button [SAVE] for 3 seconds.
[Fixture will flash / A & B will start blinking]
 4. Press time button closest to present time. [A & B will continue to blink]
 5. Press blue 24/7 button to save time and activate customized 24/7 time settings. [A & B will remain on]

REMOTE TROUBLESHOOTING

1. If remote remains unresponsive, open battery compartment & reposition battery. **NOTE:** Camera phones or digital cameras with infrared filtering cannot be used to check sensor functionality. Some smart phones use infrared filtering. Try using the front-facing camera if you find your phone uses infrared filtering.
2. Check Remote's IR Sensor

WHAT TO DO:

The remote uses an infrared light at the tip of its body. While invisible to the naked eye, they can be seen if viewed through an LCD screen, such as those found on camera phones and digital cameras.

To see these lights, perform the following:

1. Point the camera at the remote sensor so that it is displayed in the LCD of the camera.
 2. Adjust the camera angle and position until you can see pulses of lights in the LCD display when pressing the remote's buttons.
 - If the lights are visible, the remote is working.
 - If the lights are not visible, the remote will need replacing.
- Contact customer_service@finnex.net for quick assistance.

NOTE:

1. **COLOR CONTROL "CC" ZONE:** The color control zone incorporates all buttons associated with customizing your color and intensity schedules - most notable a blue 24/7 button and blue SAVE button. If at any time you need to reset the customized 24/7 schedule, simply hold the DEMO button located in the COLOR CONTROL "CC" ZONE until the fixture flashes.
2. **24/7 MEMORY:** The 24/7 memorizes user time. Once 24/7 feature is initially set, user may exit, power off or on the unit by using the power button and still re-enter 24/7 mode without the need to reconfirm the present time. To re-establish 24/7 settings and present time, press the 24/7 button twice.
3. **CUSTOM COLORS:** Pressing a lettered button on the custom color pad will ONLY engage the pressed color to its highest output at 100%. Use arrow keys to adjust multiple colors. Each press of a corresponding arrow increases/decreases output by 10%.
4. **PAIRING/CONFIRMATION:** To ensure fixture and remote are corresponding, fixture will flash with each successful press of the remote's button. Aim controller directly at fixture's IR sensor.

FIXTURE INSTALLATION

- Insert legs into fixture and adjust to match the length of aquarium.
- Assemble and plug in the fixture's power supply cables.
[Note: Make sure power supply and cable keys are aligned].
- Plug light fixture in to a GFCI outlet.
- Power on fixture by pointing remote at the fixture's sensor and pressing remote's power button.

LEG INSTALLATION

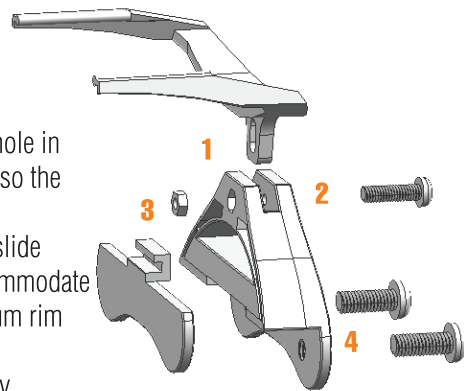
1. If using fixture on a rimless aquarium or rimmed aquarium less than ¾" thick, secure legs atop the aquarium's rim and secure fixture using mounting screws.
2. If using fixture on an aquarium with a rim more than ¾" thick, remove sliding bracket from inner portion of fixture's leg to accommodate the larger rim's width. To do this: Identify the inner portion of the leg and note the bracket gap. Slide the inner portion of the leg to the direction of the gap. Remove the inner portion and screws from the leg.



LEG ASSEMBLY

(Applicable to models with tilting legs)

1. Push fixture arm extension securely into fixture leg base.
2. Align the hole (1) in the arm extension with the hole in the Leg Base and tighten the nut and bolt (2&3) so the arm extension is secure. Do not over-tighten!
3. If the rim is wider than the leg base gap allows, slide removable attachment out from leg base to accommodate such width. Do not remove attachment if aquarium rim fits within the leg base.
4. Fasten screws (4) to ensure the fixture is securely mounted to the aquarium. Do not over-tighten!



NOTE: This fixture is not intended to be used atop an open top aquarium.

FREQUENTLY ASKED QUESTIONS

Q: How do I know that the light fixture is responding to the remote?

A: When a command is received, the fixture will briefly flash.

Q: Why are some buttons responsive and while others are not?

A: If either 24/7 Control [A flashing] or Customized 24/7 Control [A and B flashing] left in programming mode, some buttons will not function until that mode is exited. To exit, press the [24/7] button corresponding to the LED indicator.

Q: How to set the correct time on the fixture?

A: To set the time: Press button [24/7] > enter the correct time>Press button [24/7] to confirm time and exit.

Q: How to store custom colors in memory slots?

A: Once the color is adjusted, PRESS AND HOLD a memory slot button [M1], [M2], [M3], [M4] for 3 SECONDS. The fixture will flash and B will flash indicating color storage.

Q: My fixture seems to be stuck and unresponsive to any remote command.

A: The fixture may freeze if too many commands are inputted within a short amount of time. To reset, unplug and replug-in the fixture. If that does not work, press and hold the CC DEMO button until the fixture flashes. **This will reset all saved settings within the Customized 24/7 Control and restore these settings to factory default.**

WARRANTY INFORMATION

Please refer to the warranty card for additional warranty information.

To reach the Finnex support team, please visit the www.Finnex.net website to open up a user ticket for us to address.

Finnex®

24/7

SAFETY & INSTRUCTIONS

www.finnex.net

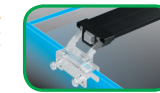


WHAT'S INCLUDED

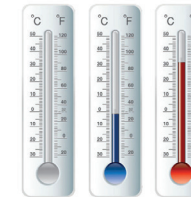
- 24/7 Light Fixture
- Fixture Power Supply
- Fixture Leg Assembly (2)
- IR Remote Controller
- User Manual / Warranty Card

SAFETY & HAZARDS

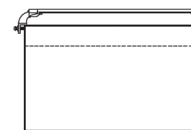
⚠ Ensure fixture is secured atop a covered aquarium free of splash, moisture, and excess humidity. Use caution when placing light near aquarium filters and air stones.



⚠ In extreme temperature conditions, allow unit to settle at conventional room temperatures before operating. Unit will under perform in extreme conditions noted.



⚠ Where applicable, use mounting screws to secure fixture to the aquarium



NOTE: See warranty card for additional safety details.

SAFETY PRECAUTIONS

Aquarium indoor use only. Do not attempt to repair the unit. Do not operate if unit gets wet. If unit falls into water, unplug immediately and then retrieve it. Do not submerge unit underwater. Do not operate unit if cord is damaged. Do not look directly into the light. Unit generates heat. Avoid contact with warm components.

CHOKING HAZARD:
Small parts, avoid use around small children